

Dekra VT GH Pole Holder



A variable holder for all types of poles. With its adjustable mounting brackets it can be easily mounted on almost all rails.

Spectis[!]
Robotics

Mounting for all pole types, such as the VT 42 GK

Deployment of cameras, lights and other tools

Inspections of ponds, ships and other objects

Adaptable to nearly all rails

Extendable arm

Foldable

Specification

- > Length: 340mm (without hose)
- > Diameter: 103mm
- > Weight: 3,9kg
- > Material: stainless steel
- > Suction power: 3m³/h
- > Connections: VT 29G carbon pole endlessly extendable
- > Supply voltage: 48VDC

Options and Upgrades

Filter

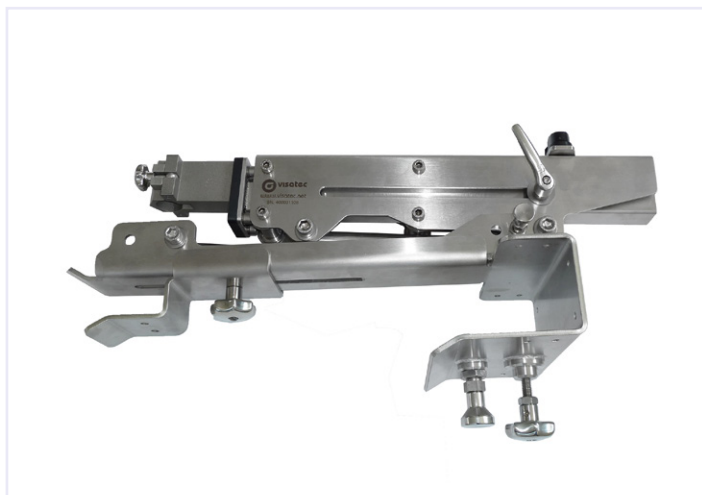
- plastic strainer (ABS)
- stainless steel strainer
- 10/2550/100µm strainer

Connections

- VT 29 GK carbon pole endlessly extendable

Peripheral devices

- Cable reel: 50 metre cable length
- Remote control: optional, with LC-Display for additional camera
- Surveillance camera: VT 25 (optional)



Images shown may not be an exact representation of the features listed.

Spectis Robotics Ltd
Unit 3, Crombie House, Grandholm Village
Bridge of Don, Aberdeen, Scotland, AB22 8BD

+44 1224 701444
info@spectisrobotics.com
spectisrobotics.com

**World-leading
Robotic Crawlers and
Camera Systems**